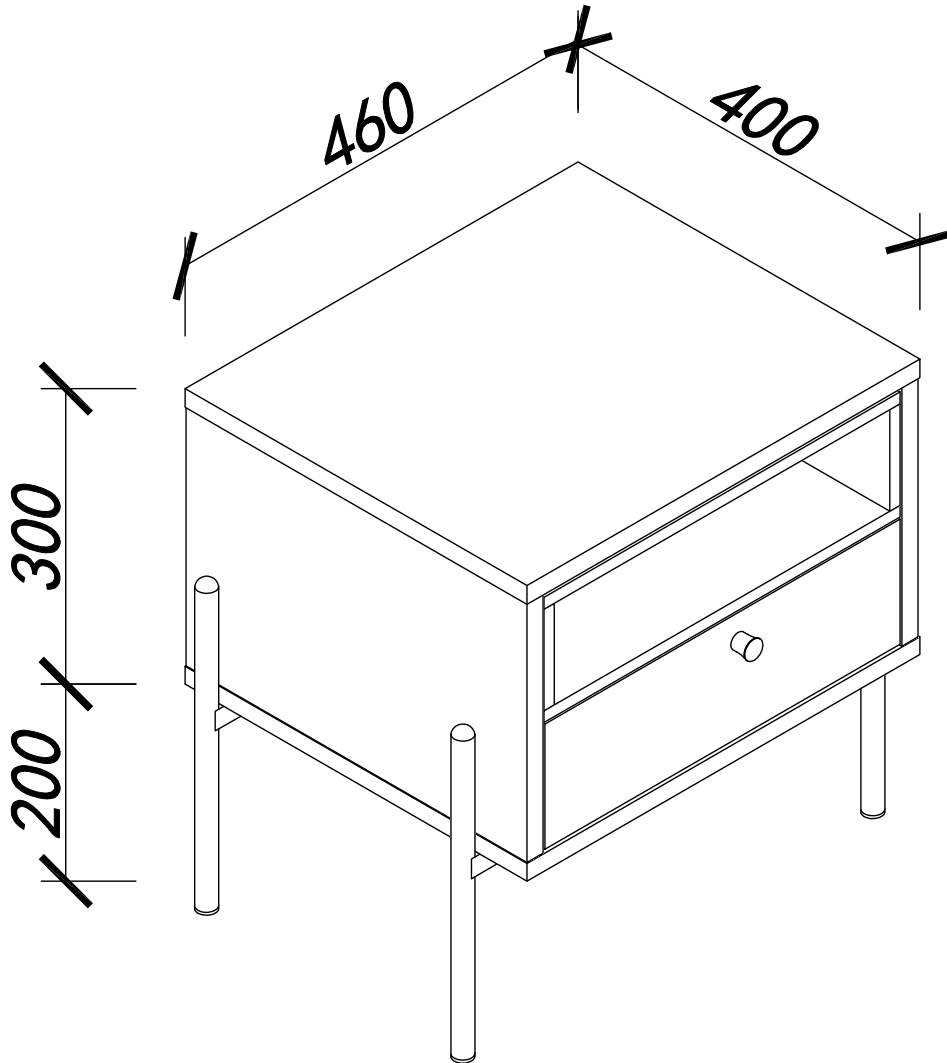


ASSEMBLY INSTRUCTION

FOWLER BEDSIDE

ITEM CODE 74686

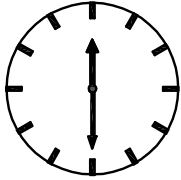
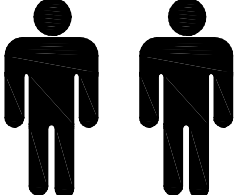
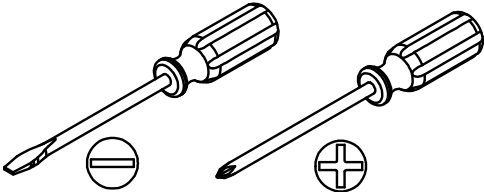


Imported by JWA Furniture Pty Ltd, Brisbane Qld, Australia.
For any assistance with assembly or for missing parts please refer to your receipt

PRE-ASSEMBLY PREPARATION

Before you start:

1. Choose a clean, level, spacious assembly area. Avoid hard surfaces that may damage the product
2. Take care when lifting. Product should be assembled as near as possible to the point of use
3. Ensure that you have all required contents for complete assembly
4. Always read the assembly instructions carefully before beginning assembly.
5. Keep all hardware parts and packaging out of reach of small children.
6. Do not over tighten the screws and bolts as this may damage the threads
7. Assembly is to be carried out by a competent adult(s) ONLY
8. During assembly, children should be kept away from the product due to possible risk to injury.
9. Do not use this item if any components are missing or damaged.
10. Please keep the instructions for future reference.

		
Allow 30min	For 2 person	Additional tools required



TIPPING WARNING





Serious or fatal injuries may occur from furniture toppling over. To help avoid this please follow the below recommendations:

- Install the provided "Tipping Kit" as per the instructions
- Never allow children to climb on or hang off of any part of this product
- Unless specifically designed to accommodate, do not set TVs or other heavy objects on top of this product

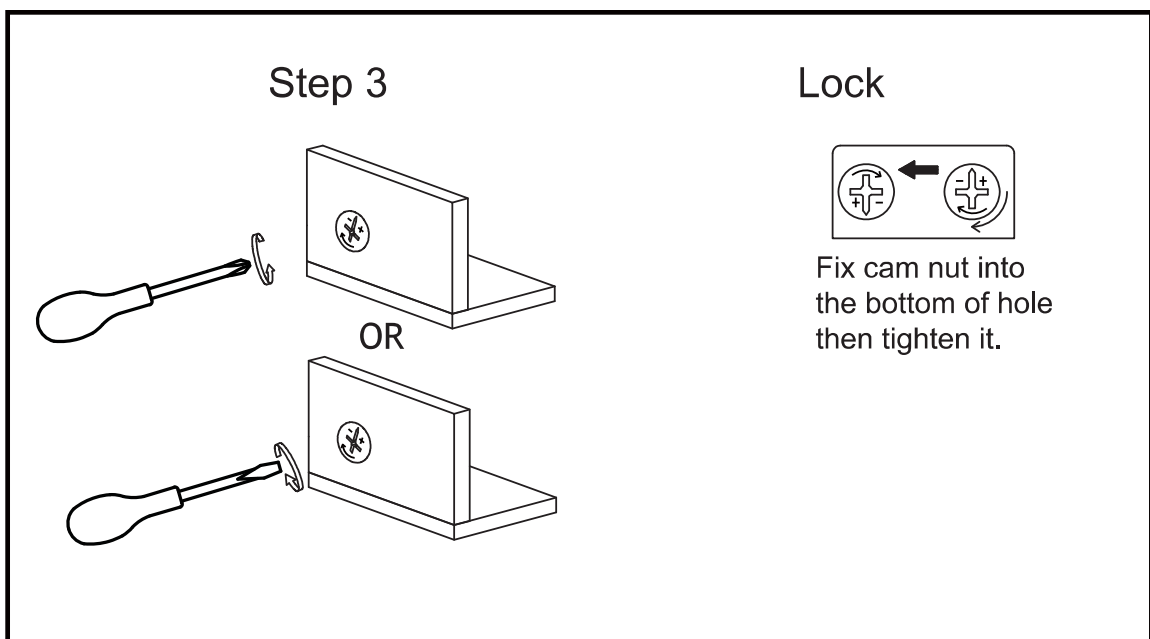
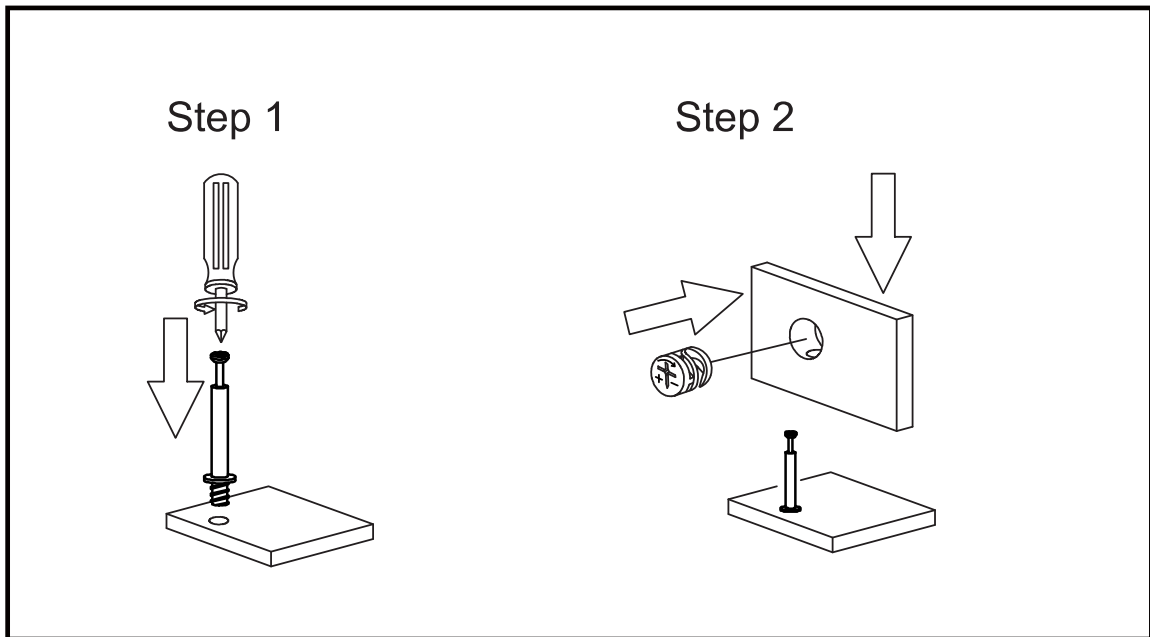
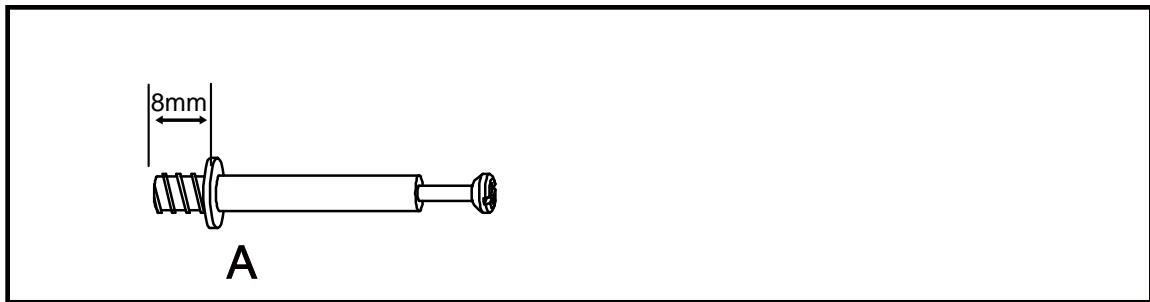
If this product has drawers:

- Place the heaviest items in lowest drawers
- Do not open more than 1 drawer at a time as this may cause the product to become unbalanced
- Do not tamper with or remove any drawer interlocking/running system

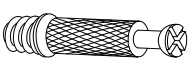

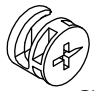
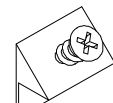
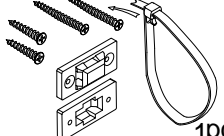


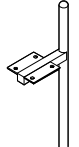
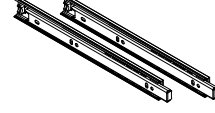


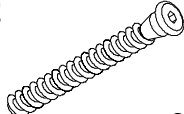
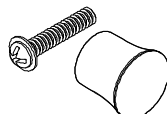


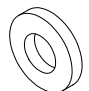
Note: The use of the provided "Tipping Kit" may reduce but not necessarily eliminate the risk of furniture toppling over. Please use this product with caution.

This is a permanent label. Do not attempt to remove!

CAM LOCK INSTALL METHOD AS FOLLOWS

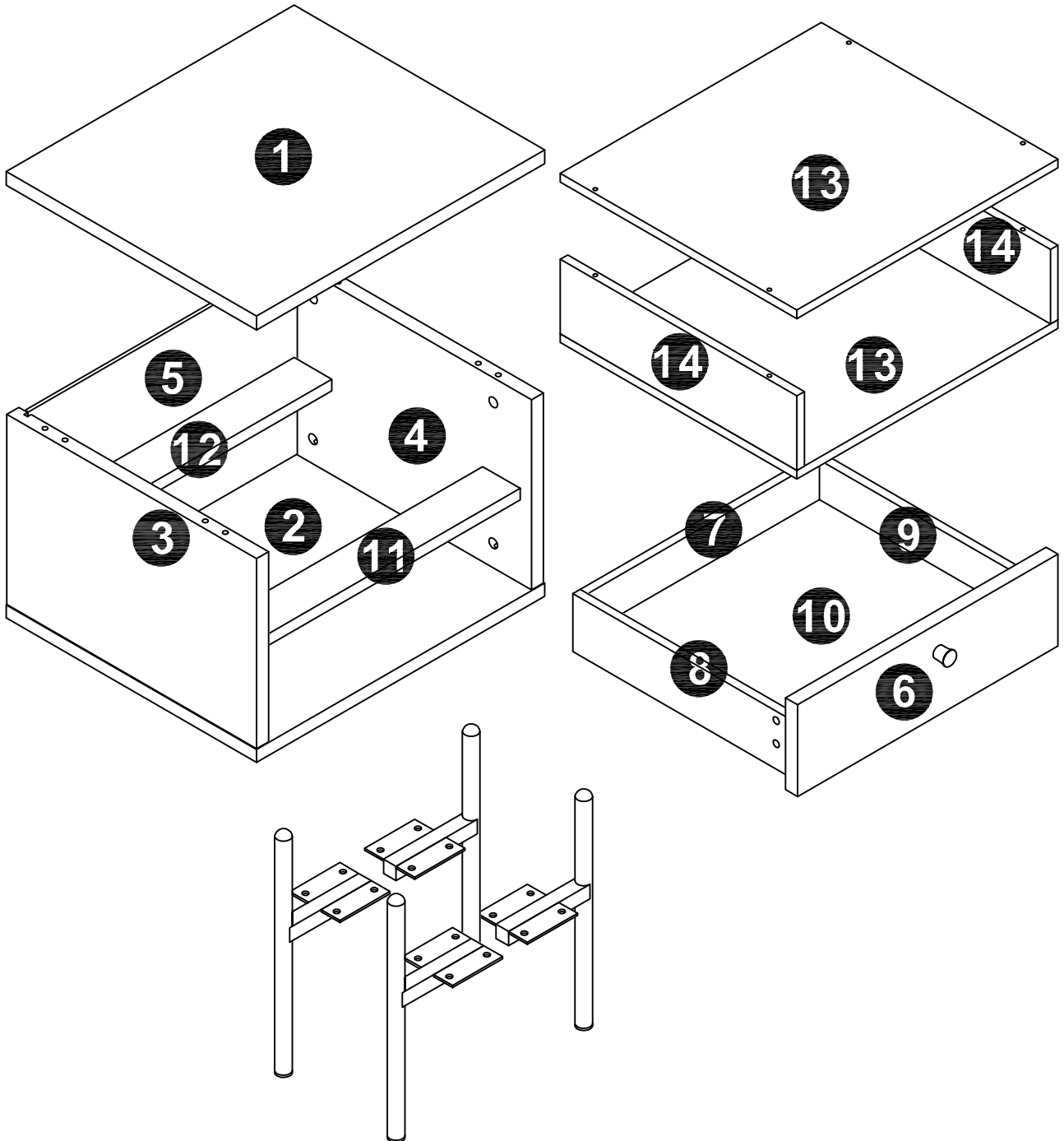


PARTS LIST

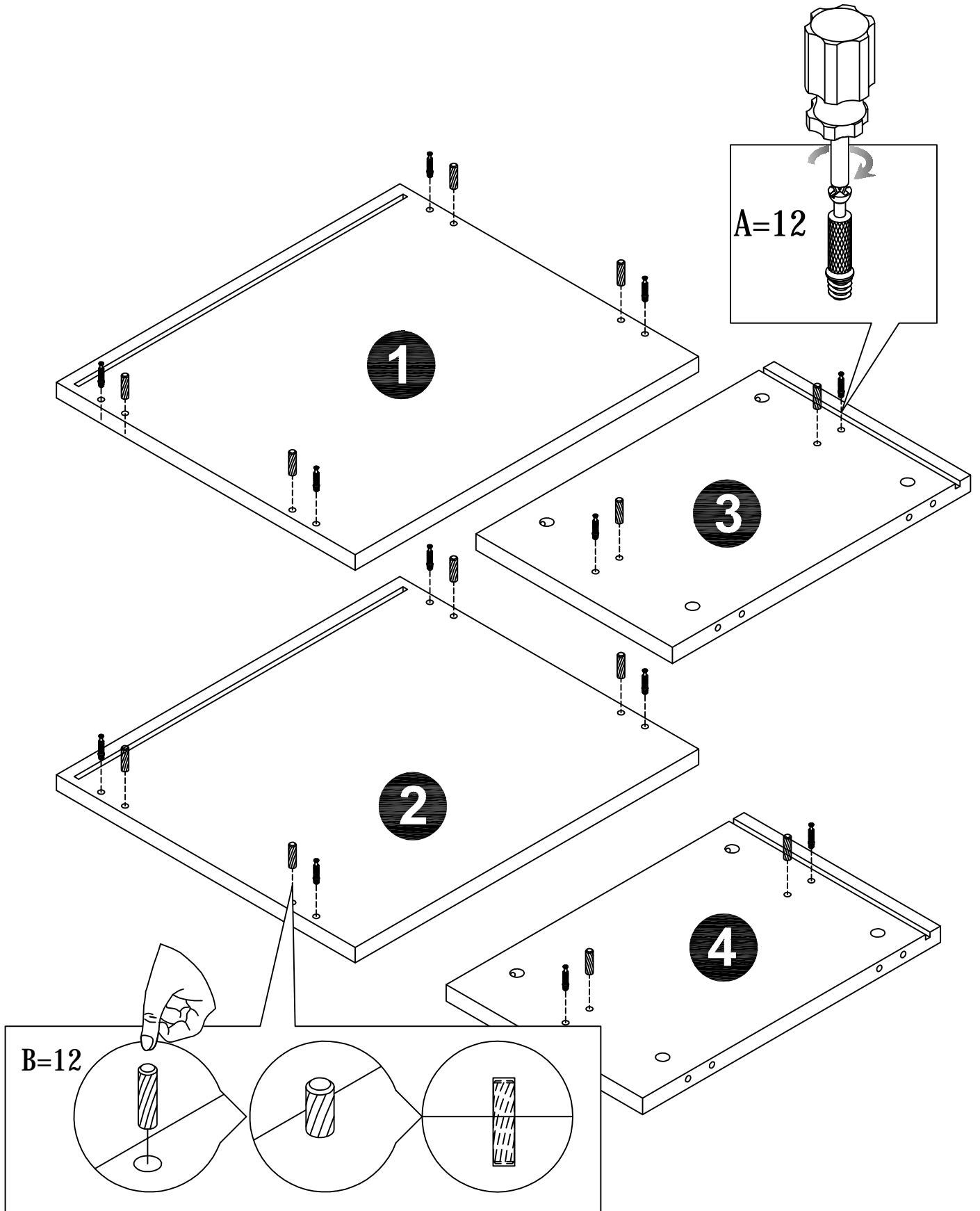
<p>A</p>  <p>M6x40mm 12pcs</p>	<p>B</p>  <p>8x30mm 12pcs</p>	<p>C</p>  <p>Ø15x12mm 12pcs</p>	<p>E</p>  <p>4pcs</p>	<p>F</p>  <p>1pc</p>
<p>G1</p>  <p>M6x16mm 16pcs</p>	<p>H</p>  <p>M4 1pc</p>	<p>J-1</p>  <p>4pcs</p>	<p>N</p>  <p>1pcs</p>	<p>O</p>  <p>M6x34mm 8pcs</p>
<p>P</p>  <p>Ø12x10.5mm 8pcs</p>	<p>Q</p>  <p>8pcs</p>	<p>U</p>  <p>1pc</p>	<p>V1</p>  <p>M3.5x12 8pcs</p>	<p>Z1</p>  <p>16pcs</p>
<p>Z2</p>  <p>16pcs</p>				

Panel No	Panel Sizes	Quantity
1	460*400*16	1
2	460*400*16	1
3	268*399*16	1
4	268*399*16	1
5	436*278*5	1
6	422*128*16	1
7	376*80*12	1

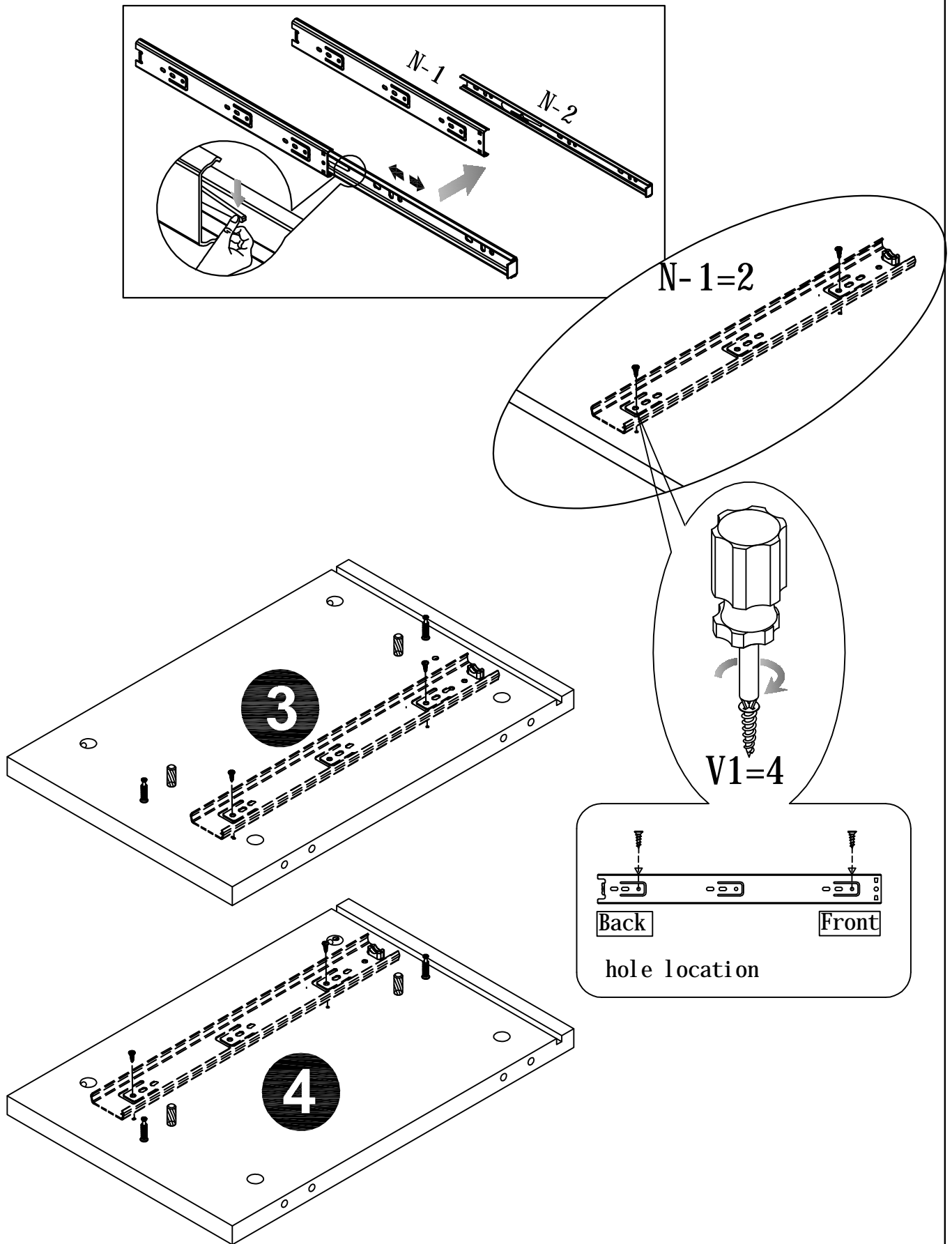
Panel No	Panel Sizes	Quantity
8	350*80*12	1
9	350*80*12	1
10	386*348*5	1
11	426*60*16	1
12	426*60*16	1
13	423*378*12	2
14	108*378*12	2



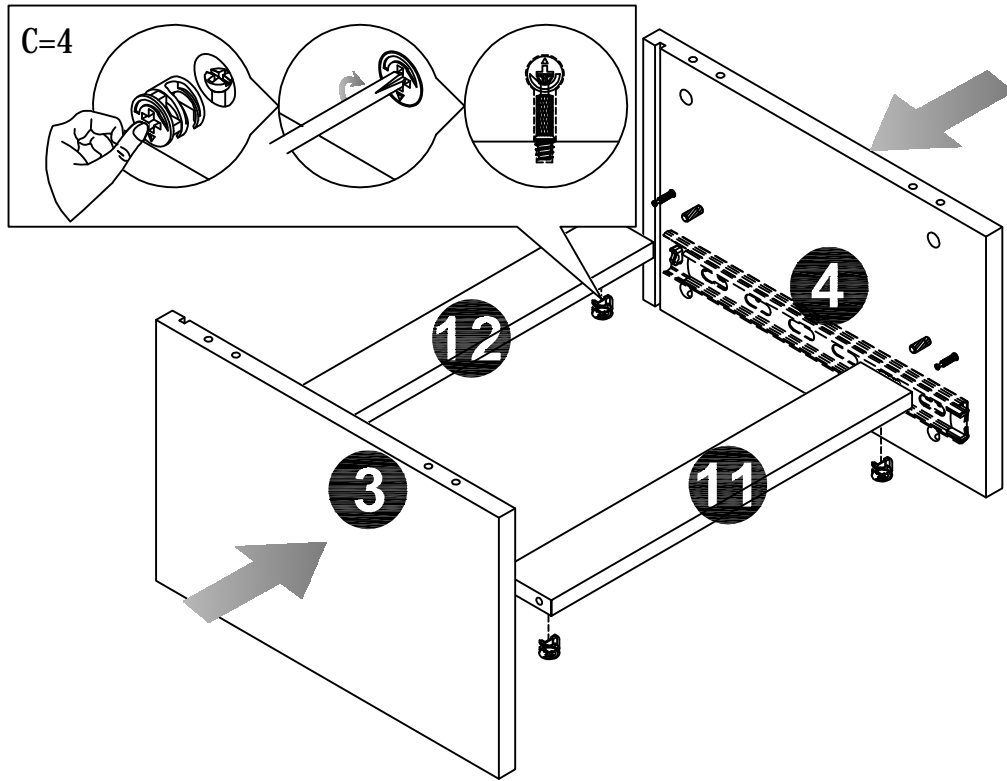
STEP 1: Fix dowel (B) and cam pin (A) to panel (1) (2) (3) (4).



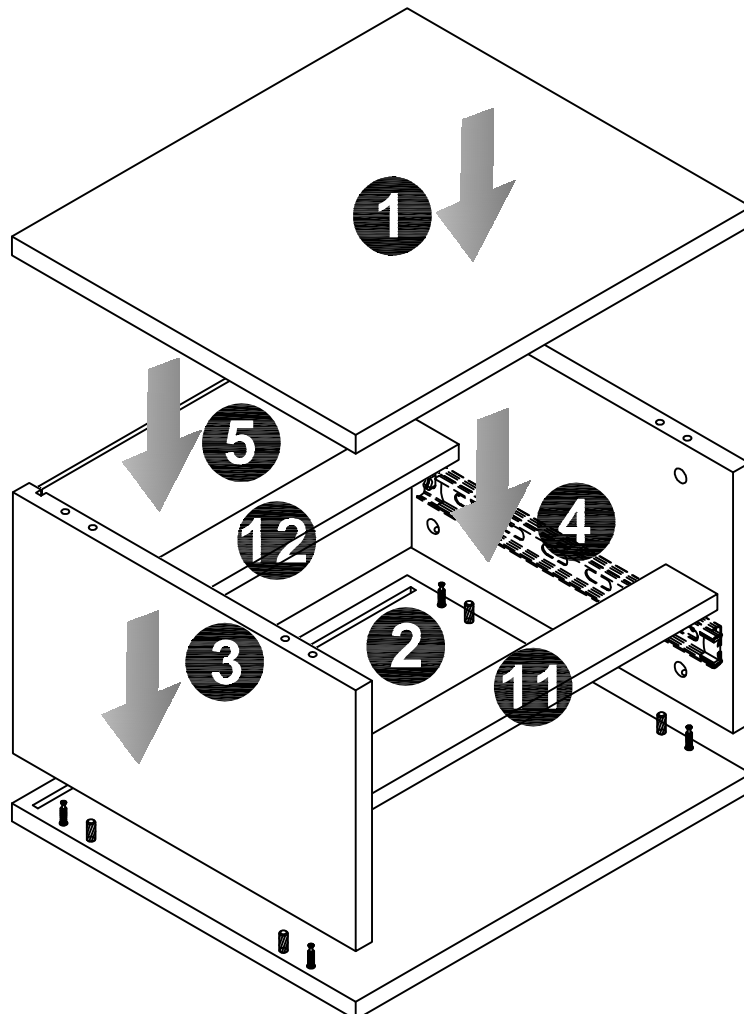
STEP 2: Fix rails (N-1) to panel (3) (4) with screw (V1) .



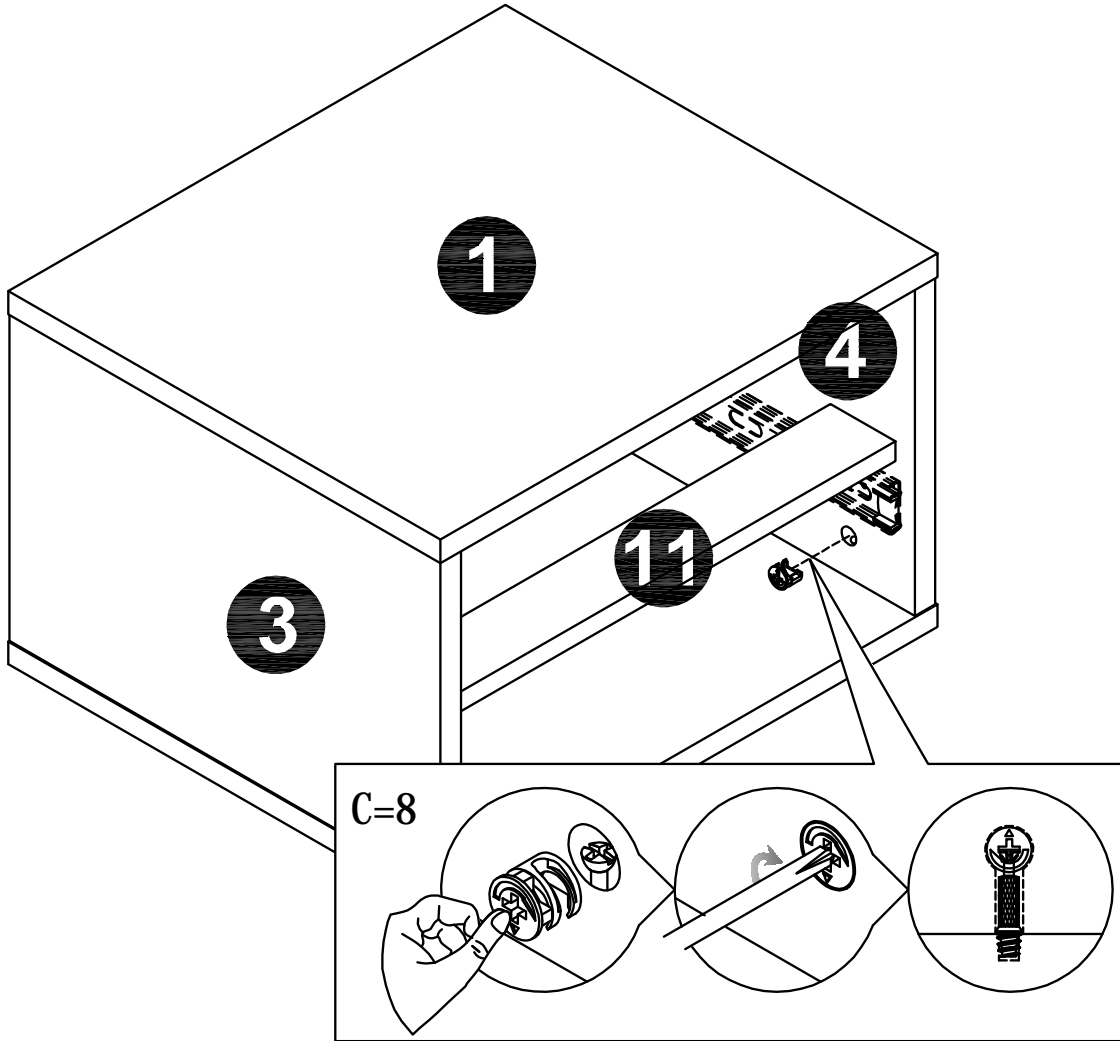
STEP 3: Fix panel (3) (4) to panel (11) (12) with cam lock (C).



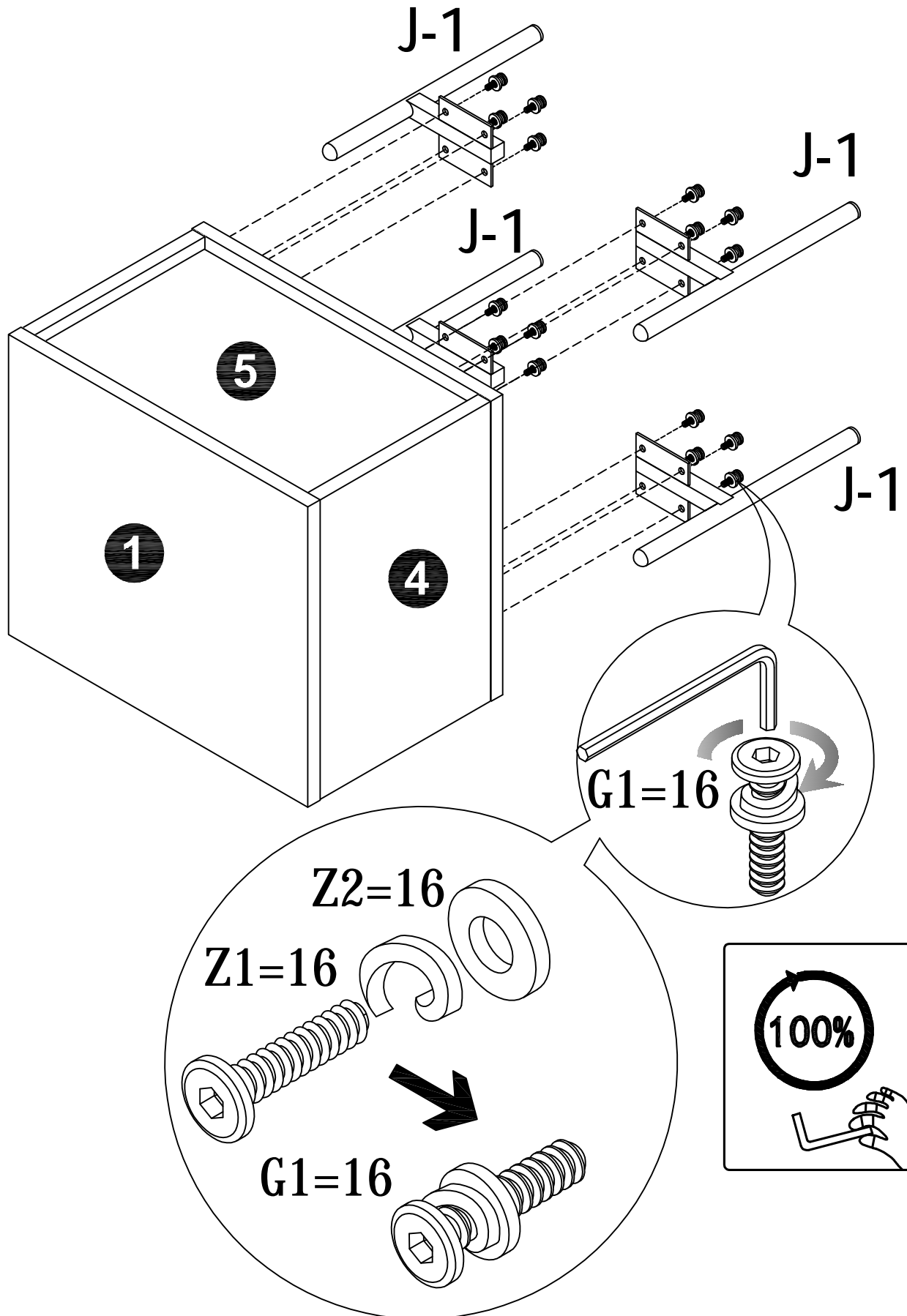
STEP 4: Insert panel (1) (2) into hole in panel (3) (4) .
Insert panel (5) into grooves between panel (1) (2) (3) (4).



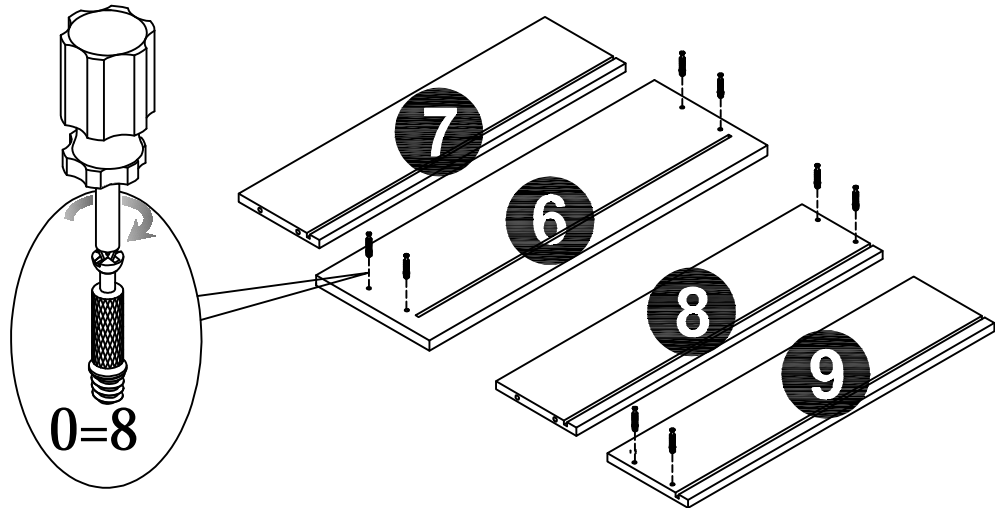
STEP 5: Fix panel (1) (2) to panel (3) (4) with cam lock (C).



STEP 6: Fix metal leg (J-1) to bottom panel (2) with bolt (G1), lock washer (Z1), washer (Z2). Using allen key (H) to fix 100%, as shown.

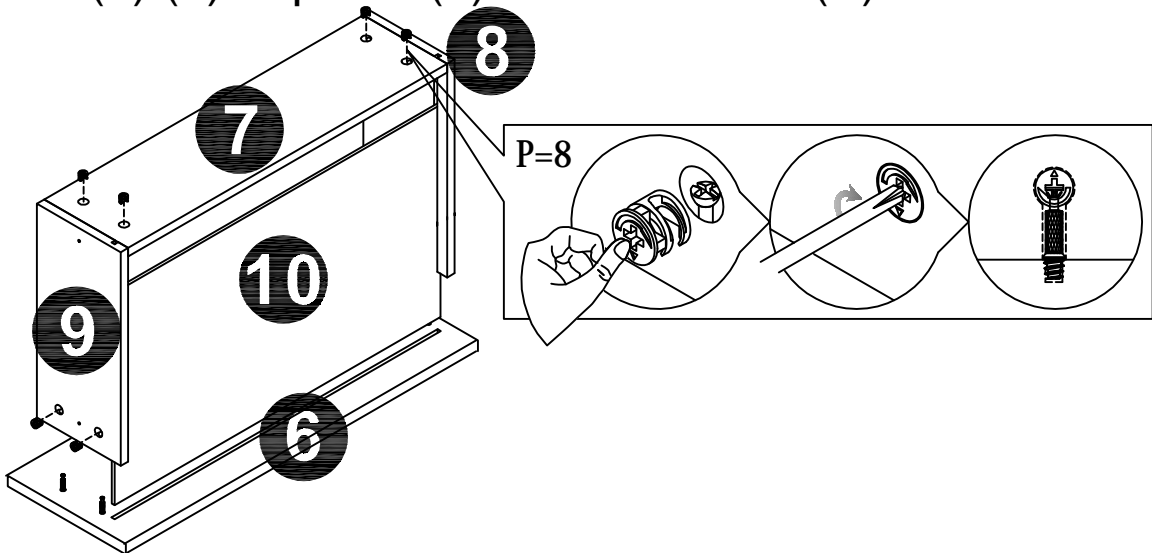


STEP 7-1: Fix cam pin (O) to panel (6) (7) (8) (9).

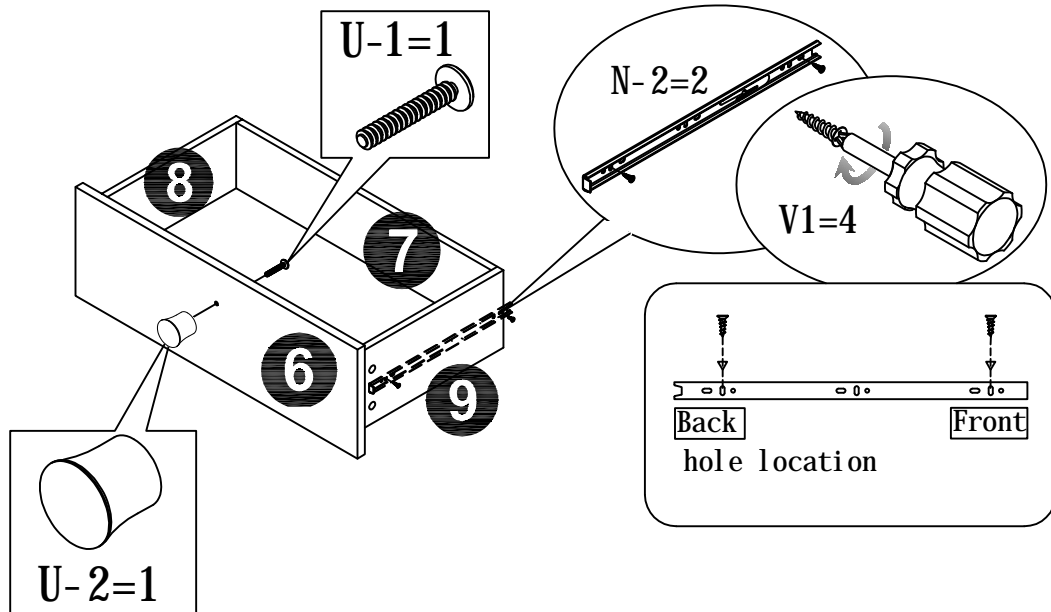


STEP 7-2:

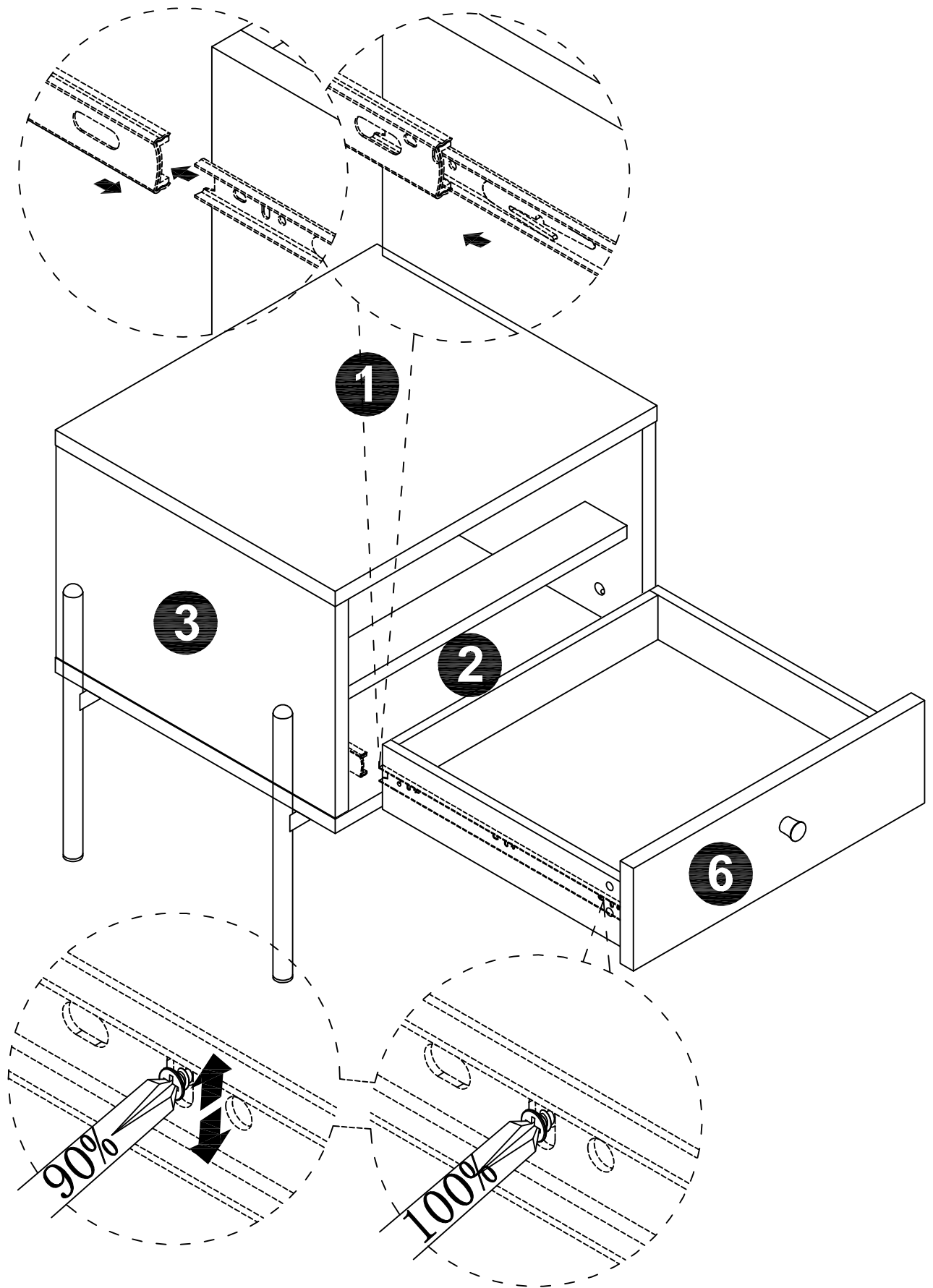
Fix panel (8) (9) to panel (7) with cam lock (P).
 Insert panel (10) into grooves between panel (6) (7) (8) (9).
 Fix panel (8) (9) to panel (6) with cam lock (P).



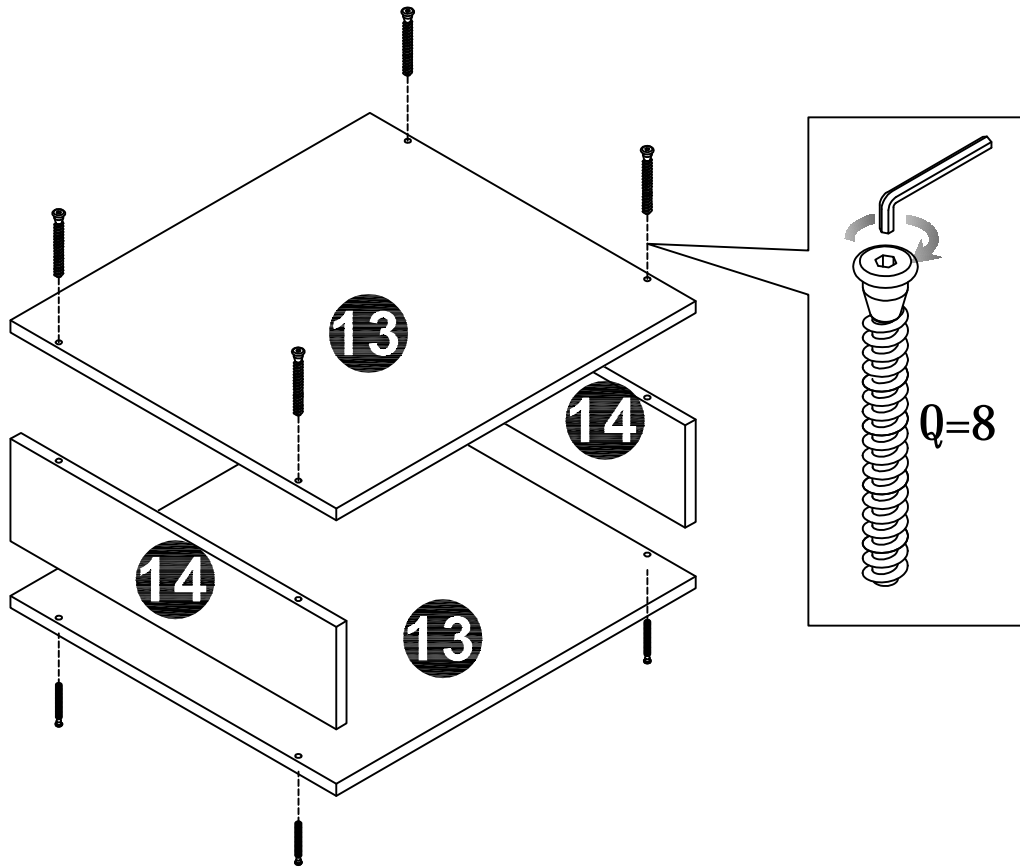
STEP 7-3: Fix rails (N-2) to panel (8) (9) with screw (V1).
 Attach handle (U) to panel (6) with bolt.



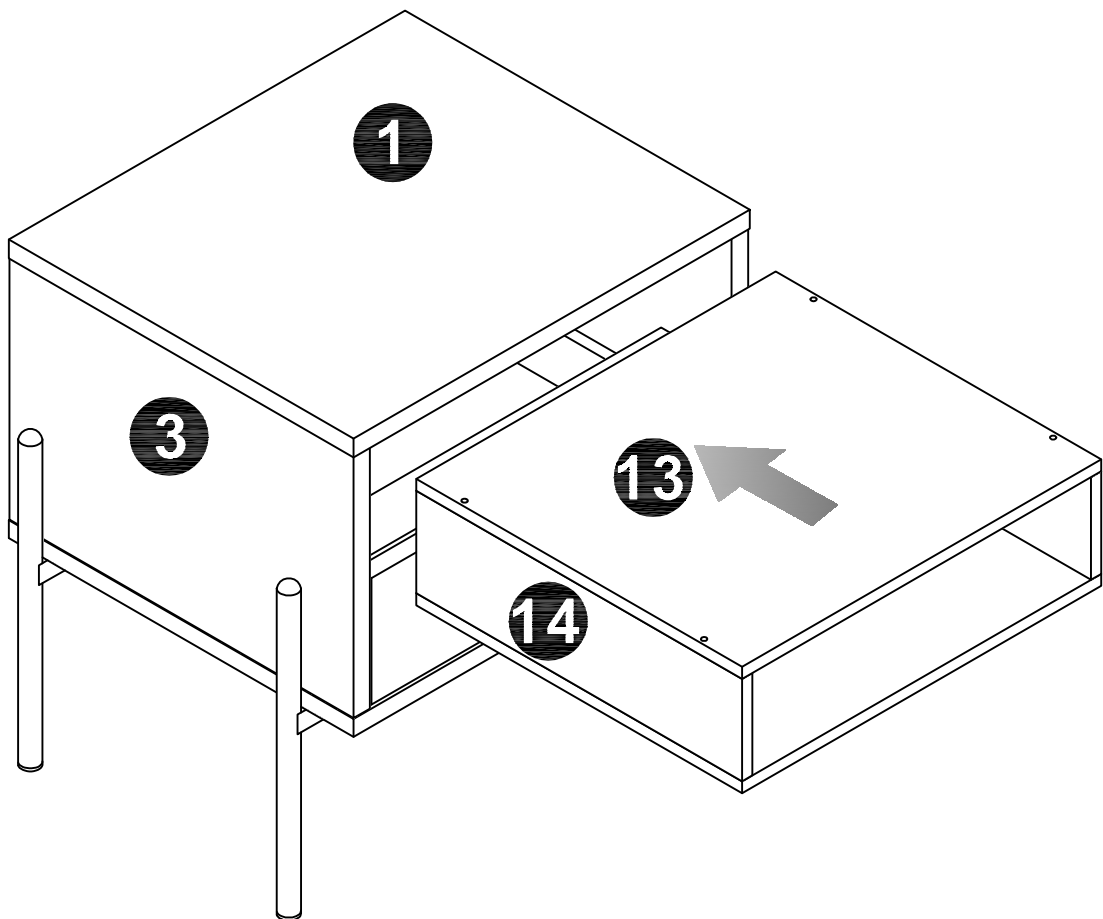
STEP 8: Adjust to proper position.



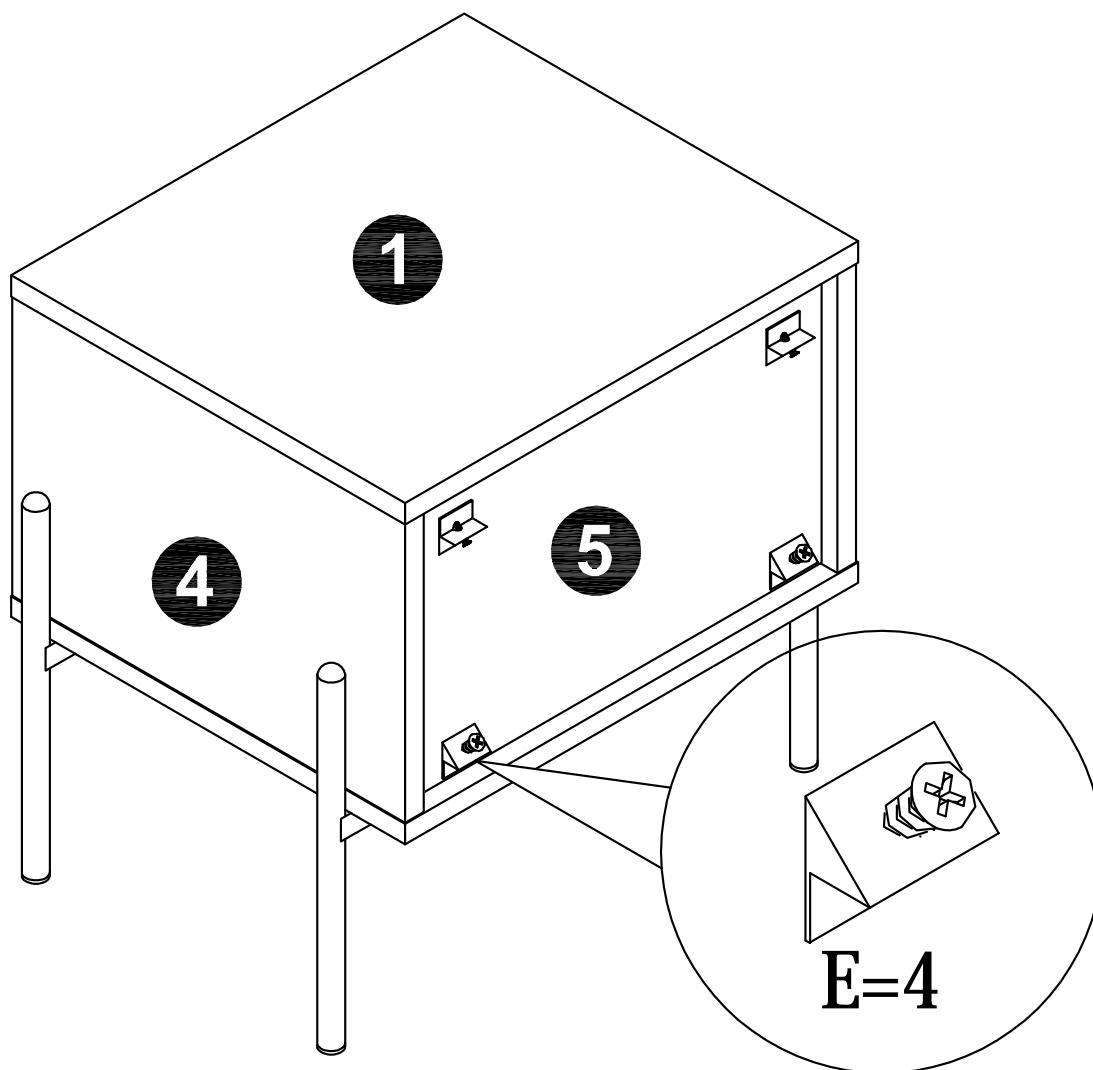
STEP 9: Fix panel (13) to panel (14) with screw (Q).



STEP 10: Put the box into the bedside.



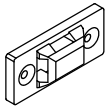
STEP 11: Insert the back panel hook (E) into the back and using screw to fix , as shown.



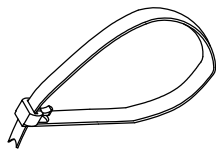
SAFETY BRACKETS INSTRUCTIONS

1. Attach one Mounting Plate to the wall with the Large Screws. Make sure to attach the Mounting Plate into a stud. If mounting into brick or masonry you will need to acquire wall anchors.
2. Attach the second Mounting Plate to the furniture frame with the Short Screws.
3. Move the furniture to its final position. Thread a Wall Strap through the both Mounting Plates and tighten until snug. Do not over tighten.
4. Make sure that the Mounting Plates are firmly attached to the wall and furniture and that the Wall Strap is snug.

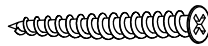
HARDWARE



Mounting Plate x 2



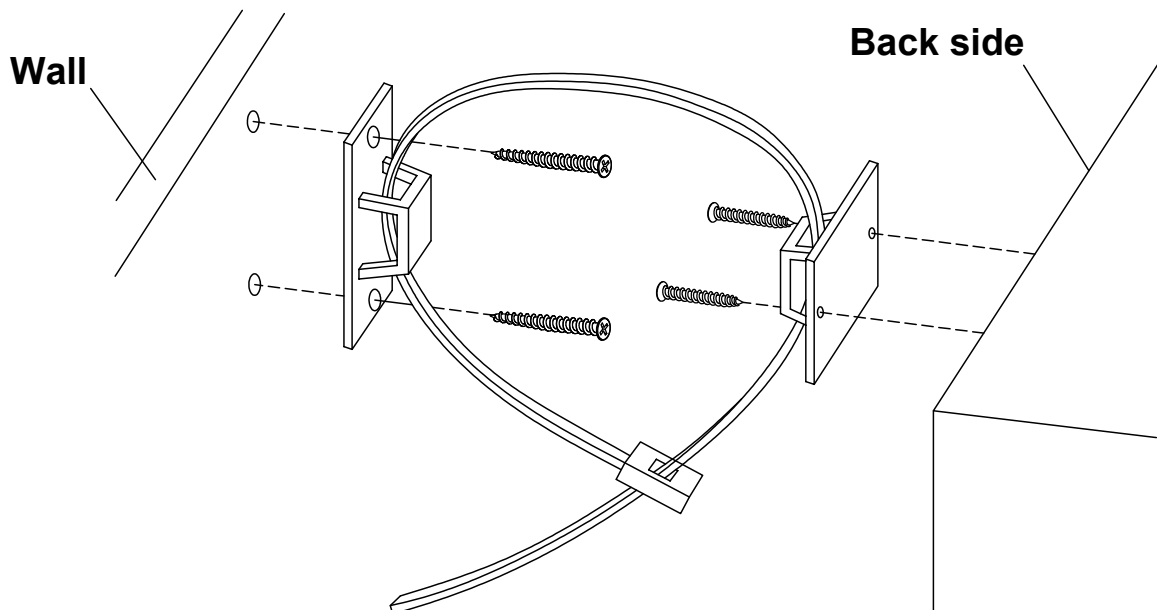
Wall Strap x 1



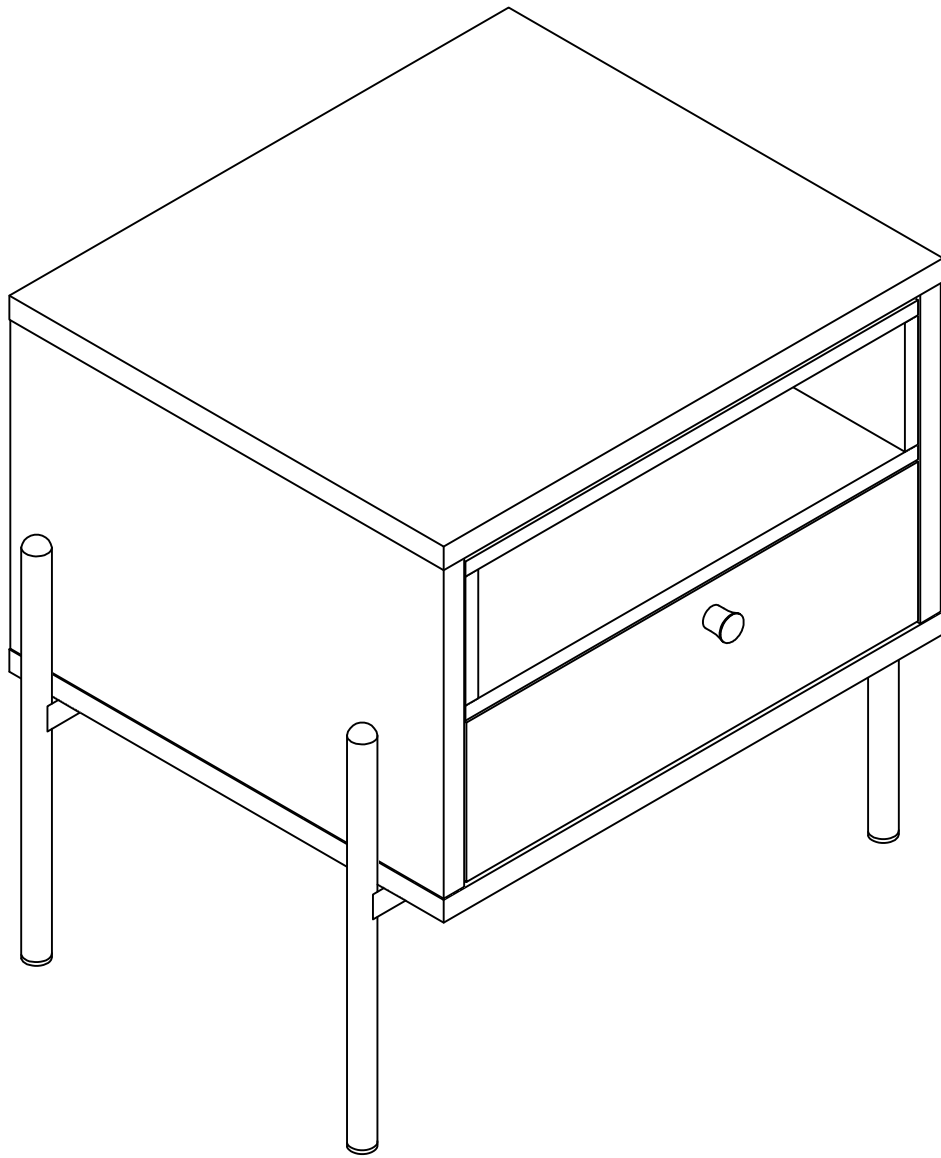
Large Screw x 2



Small Screw x 2



ASSEMBLY COMPLETE



To protect your furniture, we suggest the following:

- Avoid placing your furniture in direct sunlight.
- Do not place furniture directly under windows.
- Do not place sharp materials (knife, fork, etc.) directly onto your furniture as sharp material may scrape and damage the finish.
- Do not place material with high temperature directly onto the surface of your furniture.
- Cleanup spills quickly. Water left over a prolonged period of time may cause damage. Alcohol, perfume, nail polishes, aftershave and some medication may cause severe finish damage if not cleaned immediately.
- Use a clean, soft, dry, lint free absorbent cloth to clean your furniture. Do not use any detergent as they may contain ingredients that may react and damage the finish.

NOTE: If the above care advise is not adhered to your product warranty may become void